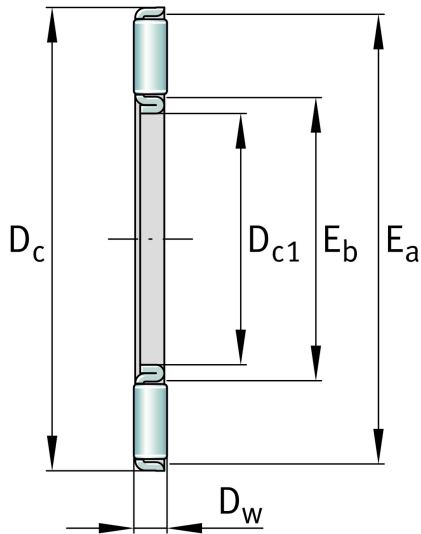
**AXK4060-A/0-10**

Axial needle roller and cage assembly

Schaeffler ID:
0000591109065Axial needle roller and cage assemblies,
single direction, to DIN 5405-2

Technical information

Main Dimensions & Performance Data

| | | |
|----------|-------------|----------------------------------|
| D_{c1} | 40 mm | Bore diameter cage |
| D_c | 60 mm | Outside diameter |
| D_w | 3 mm | Rolling element diameter |
| E_a | 58 mm | Raceway dimension |
| E_b | 45 mm | Raceway dimension |
| c_a | 28,000 N | Basic dynamic load rating, axial |
| c_{0a} | 114,000 N | Basic static load rating, axial |
| c_{ua} | 12,100 N | Fatigue load limit, axial |
| n_G | 5,800 1/min | Limiting speed |
| n_{gr} | 2,440 N | Reference speed |
| | 15.983 g | Weight |

Additional information

| | |
|--------|----------------------|
| AS4060 | Axial bearing washer |
|--------|----------------------|

